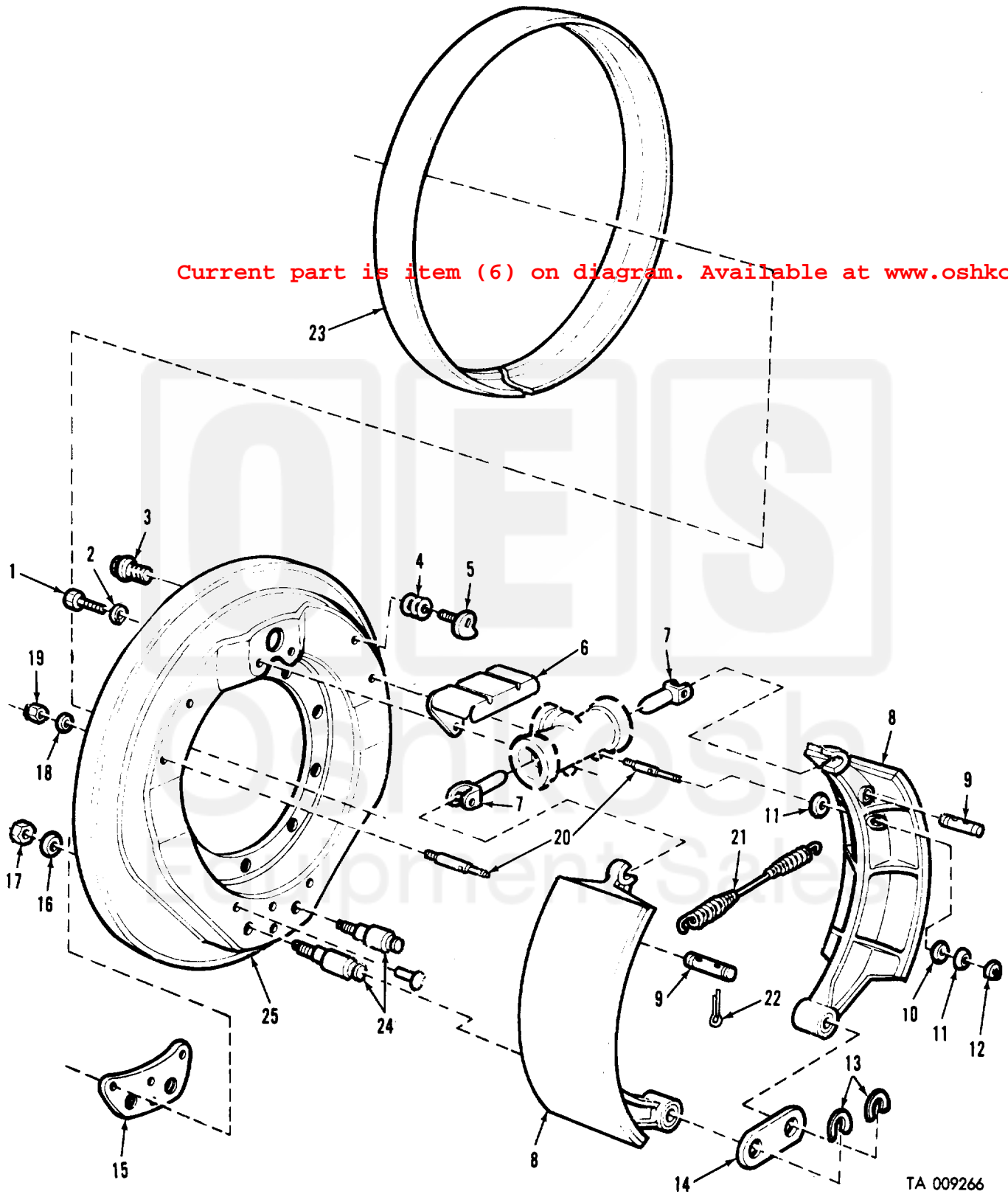


(1) SMR Code	(2) Federal Stock Number	(3) Description	(4) Unit of Meas.	(5) Qty	(6) 15-day Maintenance In Unit	(7) Organizational allow Illustration	(a) Figure No.	(b) Item No.
Reference number & mfg. code			Usable on code		(a) (b) (c) (d)	(a) (b)	(a) (b)	
					1-5 6-20 21-50 51-100	Figure No.	Item No.	
1201-HANDBRAKES-CONTINUED								
PAOZZ	4730-050-4208	FITTING,LUBRICATION: 1/8 NPT,OUTER BRAKE SHOE MS15003-1(96906)	A	EA	2	* * * *	104	26
PAOZZ	5310-891-3428	NUT,PLAIN,HEXAGON: OUTER BRAKE SHOE MS35691-77(96906)	A	EA	4	* * * *	104	27
PAOZZ	5310-732-0559	NUT,PLAIN,HEXAGON:OUTER BRAKE SHOE MS51968-8(96906)	A	EA	1	* * * *	104	28
PAOZZ	5306-737-6152	BOLT,RIBBED NECK: SERRATED SHOULDER 10X507(78500)	A	EA	8	* * * *	104	29
PAOZZ	4730-172-0028	FITTING,LUBRICATION: 1/8 NPT, 45°,OUTER BRAKE SHOE MS15003-4(96906)	A	EA	2	* * * *	104	30
1202-SERVICE BRAKES								
PAOZZ	5305-269-3210	SCREW,CAP,HEXAGON HEAD: 3/8-16UNC-24 X 7/8, BRAKE WHEEL CYLINDER MS90725-59(96906)	A	EA	12	* * * *	105	1
PAOZZ	5310-637-9541	WASHER,LOCK: 3/8 SCREW SIZE,BRAKE WHEEL CYLINDER DUST COVER MS35338-46(96909)	A	EA	12	* * * *	105	2
PAOZZ	5306-740-9376	BOLT: SHOE ADJUSTING CAM 7409376(19207)	A	EA	12	* * * *	105	3
PAOZZ	2530-740-9382	SPRING: SHOE ADJUSTING CAM 7409382(19207)	A	EA	12	* * * *	105	4
PAOZZ	2530-457-1676	CAM: ADJUSTING,BRAKE SHOE UPPER 5282725(19207)	A	EA	12	* * * *	105	5
PAOZZ	2530-656-4895	SHIELD,HEAT: WHEEL CYLINDER 7409323(19207)	A	EA	6	* * * *	105	6
PAOZZ	2530-272-8106	LINK: WHEEL CYLINDER 7413486(19207)	A	EA	12	* * * *	105	7
PAOFF	2530-152-2250	BRAKE SHOE: WITH LINING 11665741 (19207)	A	EA	12	* * * *	105	8
PAOZZ	5315-740-9379	PIN: SHOE ANCHOR PIN STRAP 7409379(19207)	A	EA	12	* * * *	105	9
PAOZZ	5310-740-9385	WASHER: SPRING SJHOE ANCHOR 7409385(19207)	A	EA	12	* * * *	105	10
PAOZZ	5310-059-4261	WASHER,FLAT: 1/16 THICK,SHOE ANCHOR PIN 594261(21450)	A	EA	24	* * * *	105	11
PAOZZ	5340-944-4911	RETAINER: MS16633-3025(96906)	A	EA	12	* * * *	105	12



TA 009266

Figure 105. Service brake.